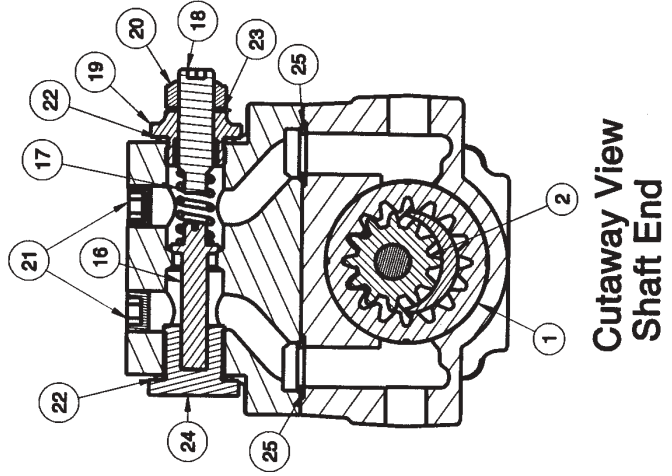
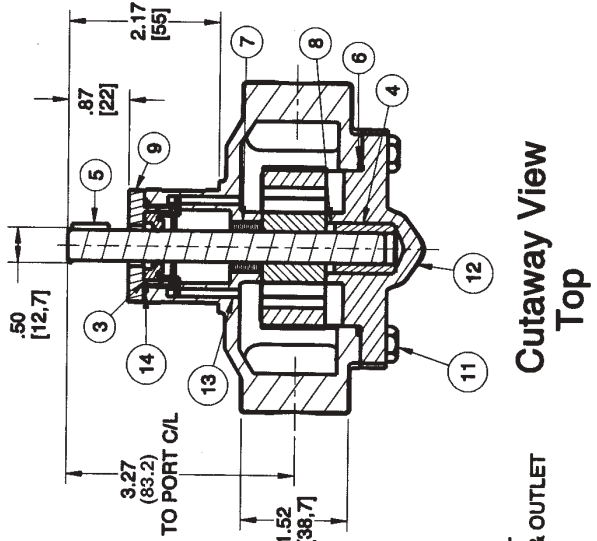
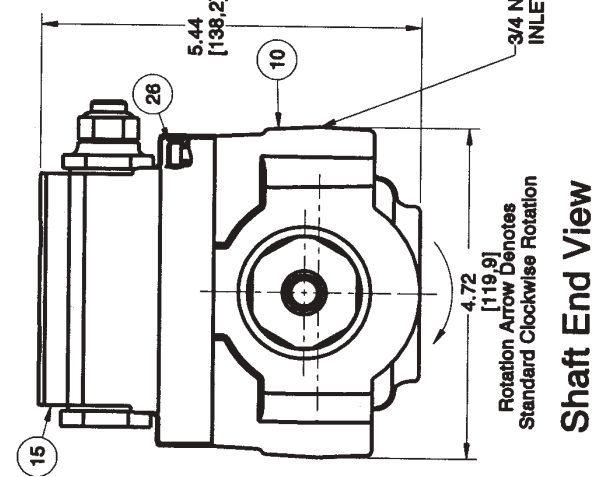


**1U - 1 GPM Universal Relief Valve Pump**

Item	Part Number	Description	Qty.
1	D126F1	Rotor	1
2	DU1C13PK	Shaft & Pinion Assembly	1
3	E18E	Seal-Shaft	1
4	E11F	Bearing	1
5	E13C50	Key-Drive	1
6	E28E	O-ring-Cover	1
7	E11F2	Bearing	1
8	E21E	Seal-Wiper	1
9	E22S2F2	Gland-Screw On	1
10	ED54A7	Case	1
11	E90HC.7	Screw-Cover	4
12	ED130A	Cover	1
13	E49E	Set Screw	1
14	E24SN	O-ring-Gland	1
15	ED55A	Housing-Relief Valve	1

Item	Part Number	Description	Qty.
16	E51C	Poppet	1
17	E52S	Spring	1
18	E55C	Screw-Adjustment	1
19	E57C	Bonnet	1
20	E64C	Locknut	1
21	ZA285	Pipe Plug	2
22	E67C	Gasket	2
23	E68C	Gasket	1
24	E50C	Cap	1
25	SE2018C70	O-ring-Relief Valve	2
26	E90SC.8	Screw-Relief Valve	4



**1U - 1 GPM  
Universal Relief Valve Pump**

Bracketed Dimensions are mm.