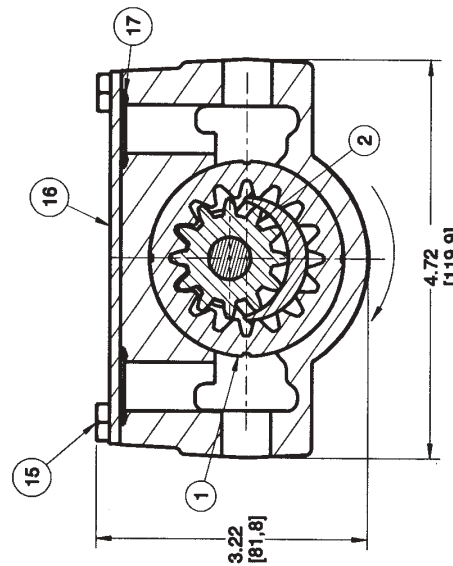


**1U - 1 GPM
Universal Pump**

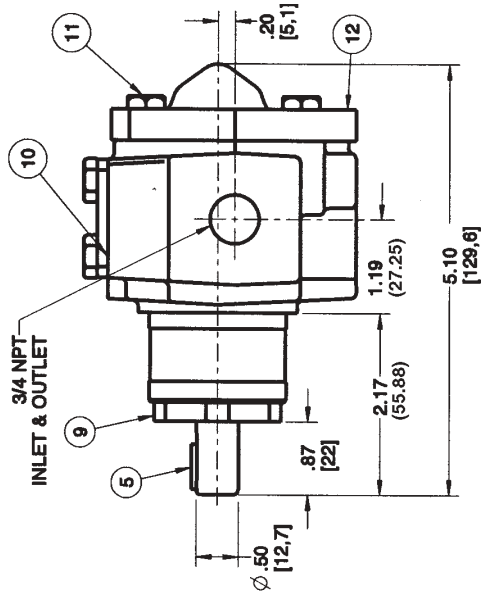
1U - 1 GPM Universal Pump

Item	Part Number	Description	Qty.
1	D126F1	Rotor	1
2	DU1C13PK	Shaft & Pinion Assembly	1
3	E18E	Seal-Shaft	1
4	E11F	Bearing	1
5	E13C50	Key-Drive	1
6	E28E	O-ring-Cover	1
7	E11F2	Bearing	1
8	E21E	Seal-Wiper	1
9	E22SS2F2	Gland-Screw On	1
10	ED54A7	Case	1
11	E90HC.7	Screw-Cover	4
12	ED130A	Cover	1
13	E49E	Set Screw	1
14	E24SN	O-ring-Gland	1
15	E90HC.6	Screw, Cover Plate	4
16	ED530CP	Cover Plate	1
17	SE2018N70	O-ring, Cover Plate	2

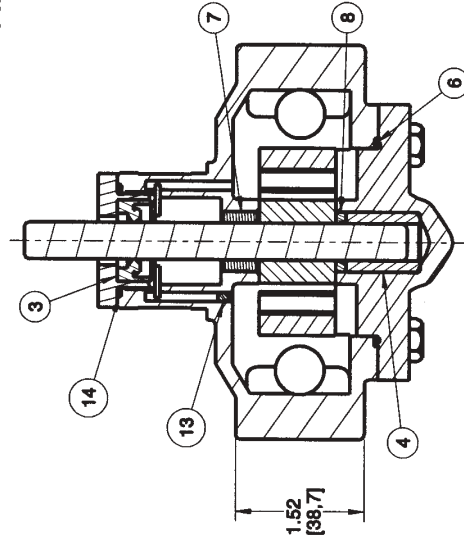


Rotation Arrow Denotes
Standard Clockwise Rotation

**Cutaway View
Shaft End**



Right Side



**Cutaway View
Top**

Bracketed Dimensions are mm.

**1U - 1 GPM
Universal Pump**